



PROPOSED WIRING FOR HIGH SCHOOL KARTS

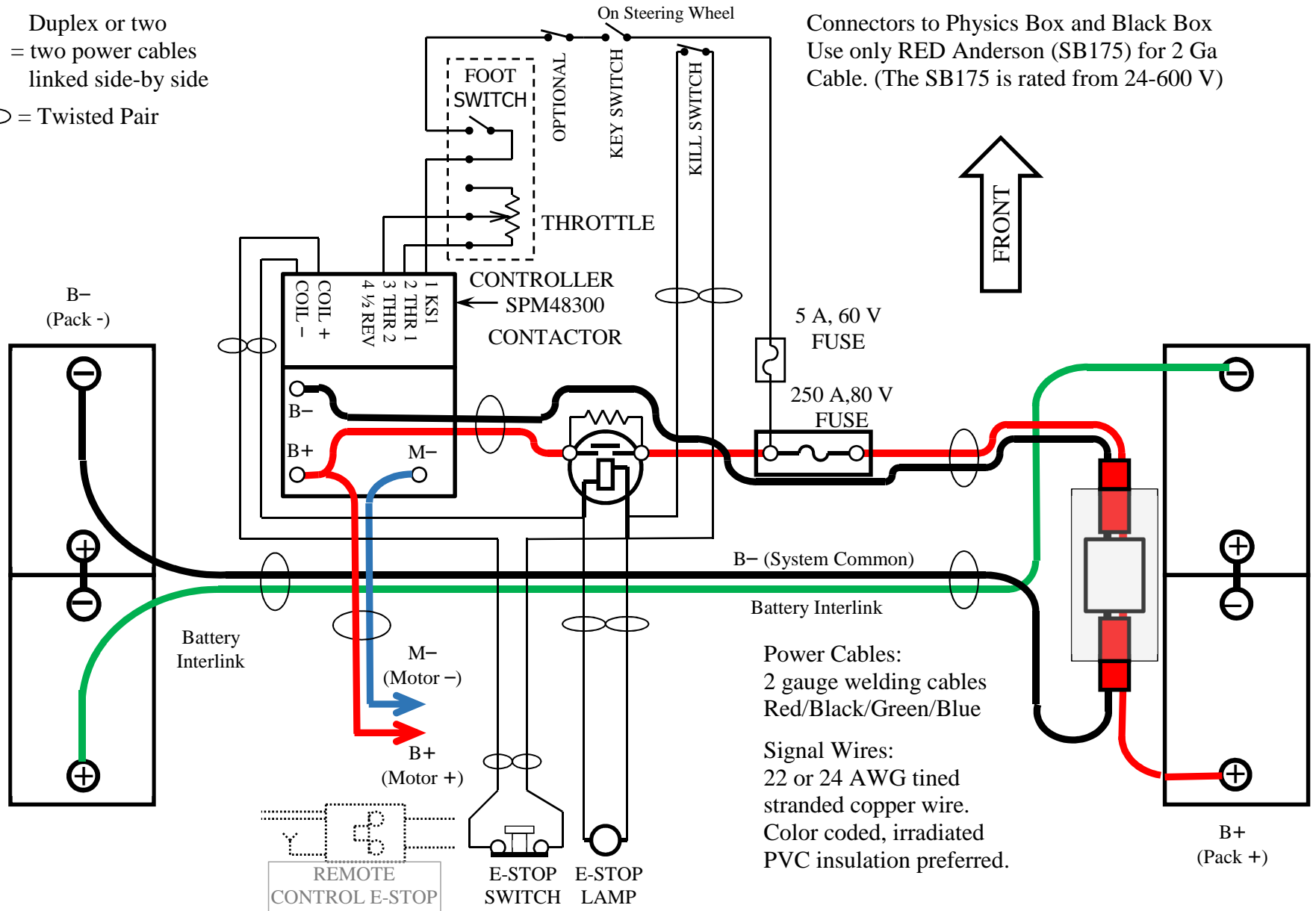
(One Contactor Plan 1A)

BFR 10/30/2016

Direct Break by E-Stop

-  Duplex or two
= two power cables
linked side-by-side
-  = Twisted Pair

Connectors to Physics Box and Black Box
Use only RED Anderson (SB175) for 2 Ga
Cable. (The SB175 is rated from 24-600 V)



Power Cables:
2 gauge welding cables
Red/Black/Green/Blue

Signal Wires:
22 or 24 AWG tinned
stranded copper wire.
Color coded, irradiated
PVC insulation preferred.