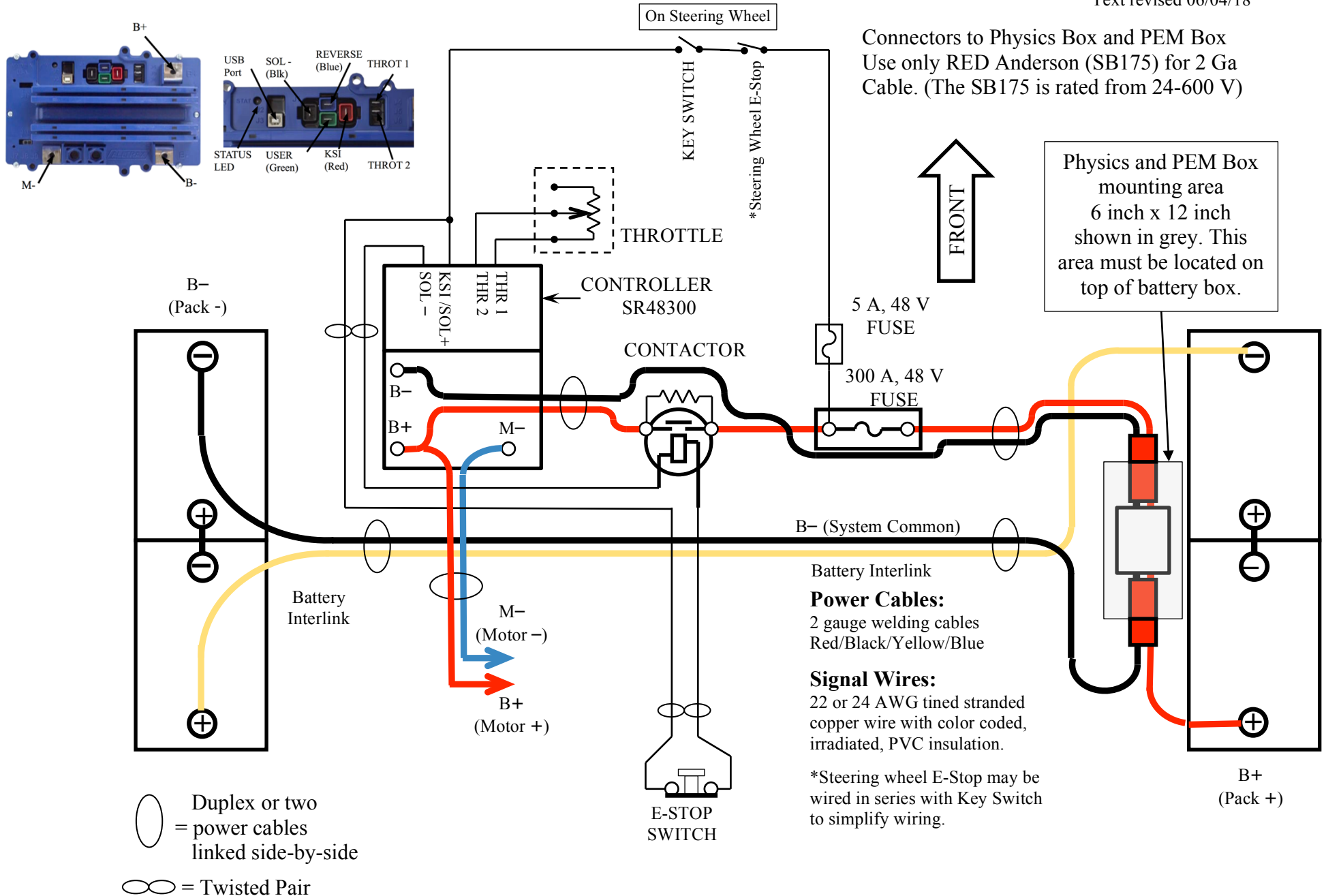


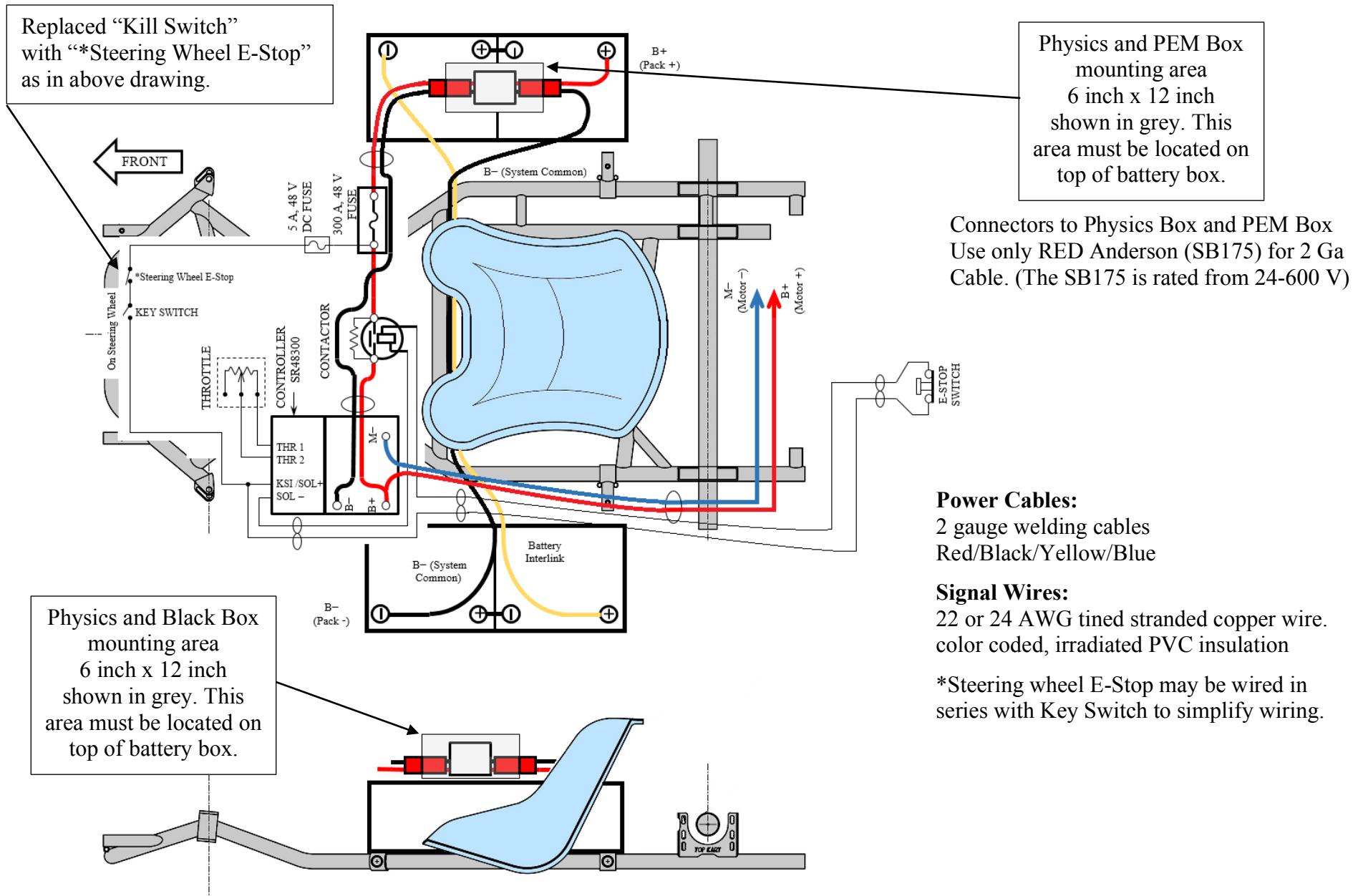
WIRING FOR HIGH SCHOOL KARTS

SKW+BFR 06/04/2018
Text revised 06/04/18



WIRING FOR HIGH SCHOOL KARTS

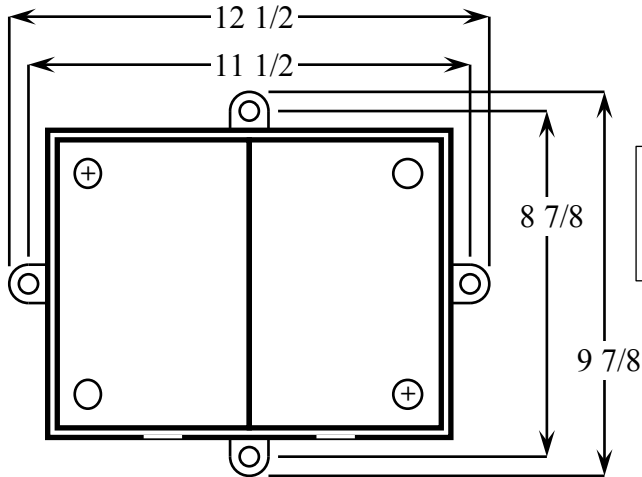
SKW+BFR 06/04/2018
Text revised 06/04/18



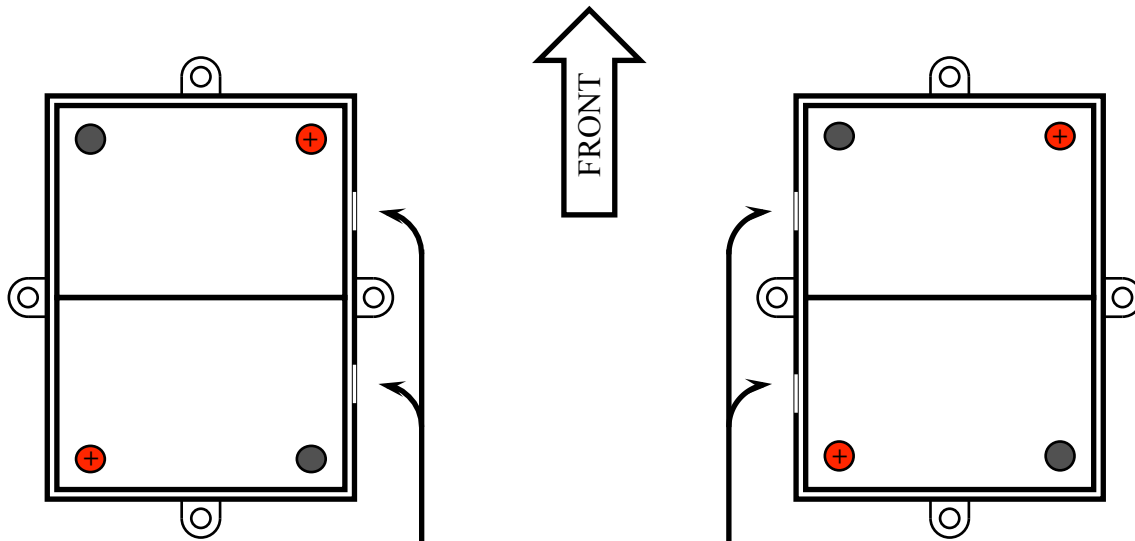
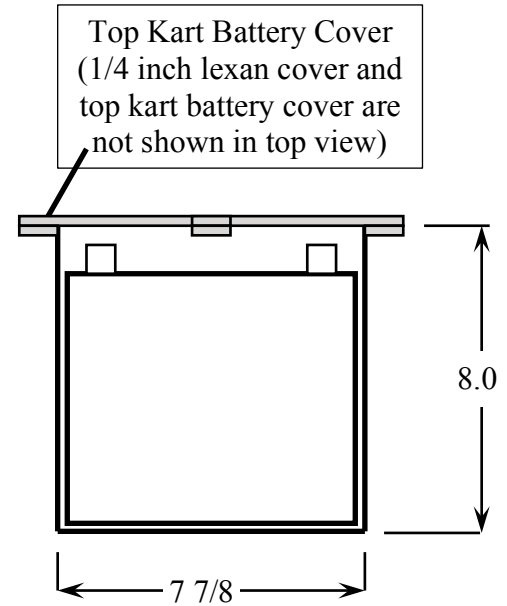
WIRING FOR HIGH SCHOOL KARTS

SKW+BFR 06/04/2018
Text revised 06/04/18

Top Kart Battery Box Modifications



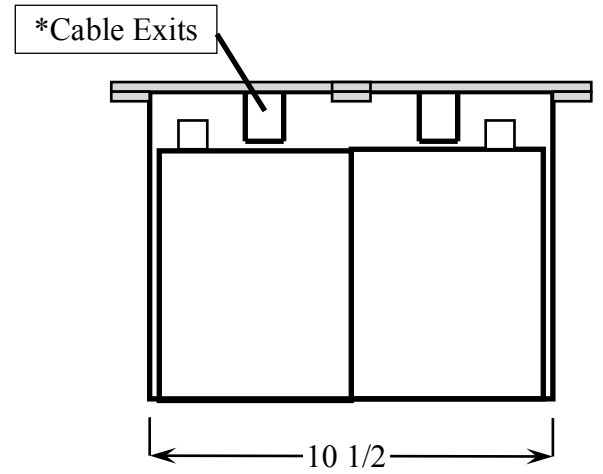
For SLA 1156 or SLA 1155
Lead Acid Gel Batteries
7.62 x 5.12 x 6.6 (7.1 w/terminals)



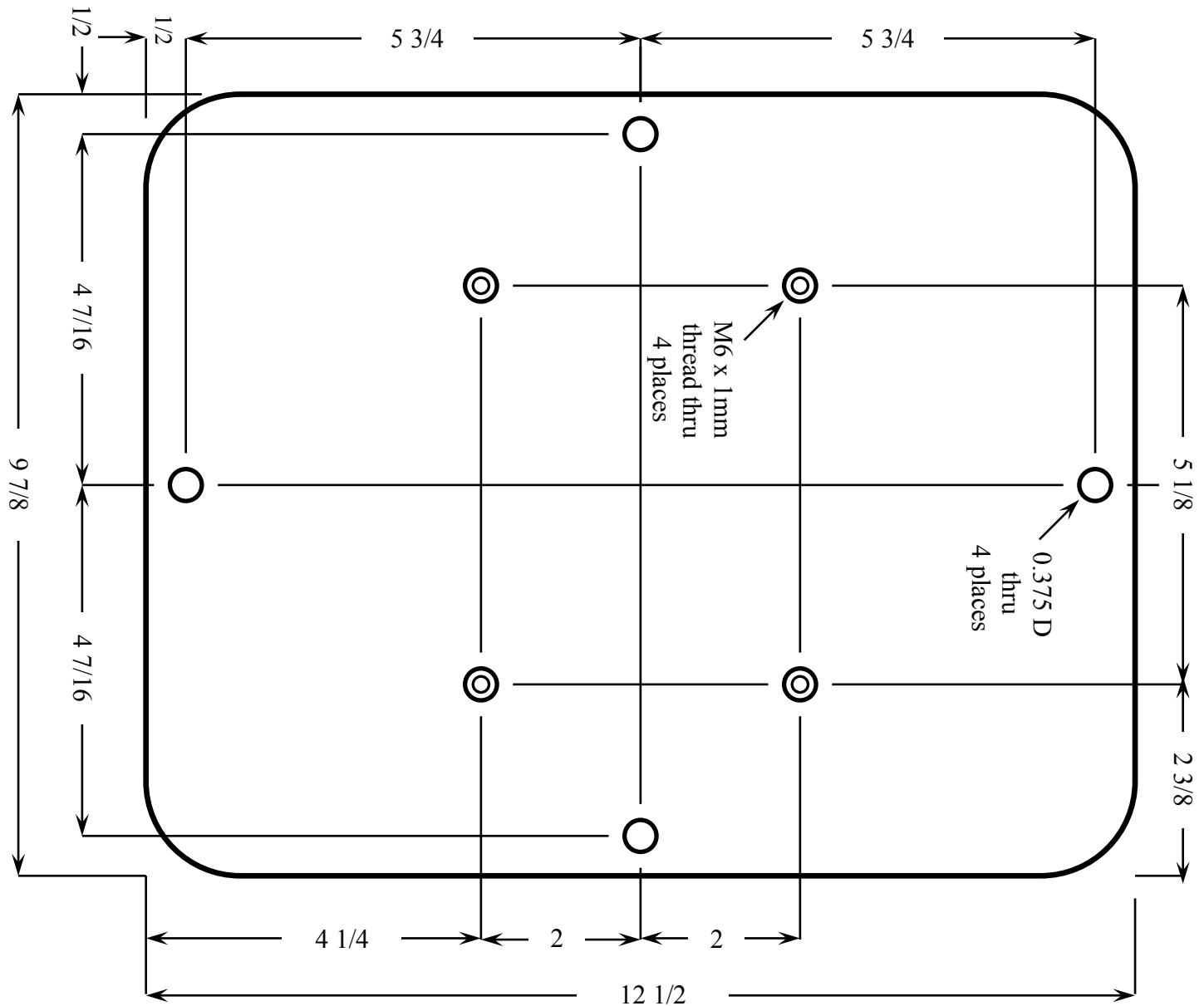
*Left Side Cable Exits
are 1 inch wide and 1 1/4 inch

*Right Side Cable Exits
are same size as left side slots.

*Protect cable with weather strip and/or layers of duct



Top Kart Battery Box Enclosure



Drawing is not to scale.

BFR Feb 23, 2018	Battery Cover for SLA1156 and SLA1155
Material: 1/4 inch lexan	Page 1 of 3 (Cover for Mounting PEM)

WIRING FOR HIGH SCHOOL KARTS

SKW+BFR 06/04/2018
Text revised 06/04/18

Top Kart Battery Box Enclosure Installation

